



Innovative Visual Displays Tailored To Fit Your Needs



rppm rp Panel Mount
Mount Stand to hold Flat Panel(s)

PRODUCT SPECIFICATION

Quote: XXX-RPPMMMDDYY- X

CAD: RPXXXXXXXX

Item Description

RPPM-FIXED-PUSH/PULL-SWING -__x__

RPPM - rppm Panel Mount

FIXED-PUSH/PULL-SWING - What version

XxX- - X high x X wide



Description:

The *rp Visual Solutions' rppm Panel Mount* is a Free Standing or Wall Mounted Structure to hold selected manufacture flat panel(s). It is comprised of 1 x 2 Welded Steel Frame, and the Free Standing unit will have leveling feet with +/- 2" Adjustment. Wall and/or floor support may be necessary.

The *rppm Panel Mount* will be the *Push-Pull Mount, Swing-Wide Mount, or Fixed Mount*. Optional Cladding shroud is MDF (Multi-density Fiberboard) in choice of colors or wood laminate on front, back, and/or sides.



Guidelines:

- The *rppm Panel Mount* Frame Structure shall be manufactured by rp Visual Solutions. The *rppm Panel Mount* shall be a 100% custom design, freestanding apparatus, fully supported from the ground up according to the custom designed specifications or attached to the wall.
- The RPPM- **XXX-XxX-SWING** will be a __ x __ flat panel *rppm Panel Mount* to hold __ x __ Flat Panel(s). All dimensions are outlined in our "First-off" Feasibility CAD.
- This unit, as quoted, shall be of an open frame design with shrouding options. It will be designed up for optimal viewing by the viewer/operator.
- Optional adjustment system to allow for precise image adjustments and serviceability.

Design & Documentation:

- High quality, detailed CAD drawings generated for pre-construction approval.
- Drawings are catalogued by serial number for each unit to allow low-cost refurbishment, upgrades or re-fit.
- Detailed, easy-to-follow assembly instructions included with each unit.



Innovative Visual Displays Tailored To Fit Your Needs

Construction:

- Self supporting structure based composed of 1 x 2 Welded Steel Frame.
- EZ-Level feet for precise screen alignment in multi-array applications can be easily and conveniently fastened to the facility to comply with any local structural attachment requirements.
- Optional Casters.
- "Fixbloc & T-bolt" assembling joinery without welded components for ease of installation.
- No special tools required to assemble.



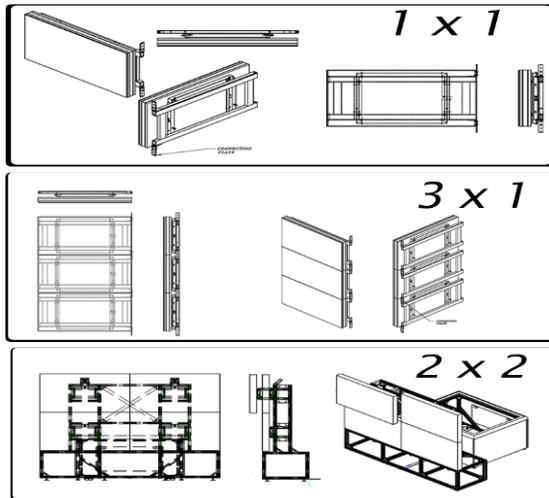
Push-Pull or Swing-Wide Mount:



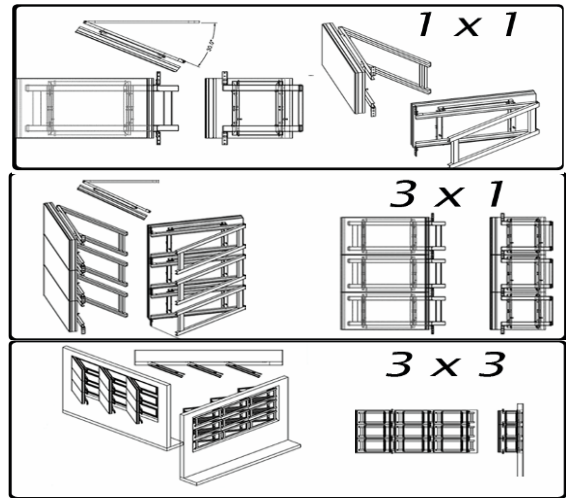
- Push-Pull Mount is a Precision Drawer Slide Mount with In/Out Motion, Push to Open/Close, and Release Latch.
- Swing-Wide Mount allows precision Alignment in a 3-Axis mount with Up/Down, In/Out, and Right/Left positioning.



Push-Pull Mount Examples



Swing-Wide Mount Examples



Factory Testing & Warranty:

- Each *rppm Panel Mount* unit is factory tested with the flat panel specified. This test will ensure continuity of all seams over the entire wall structure. We conduct a documented "Satisfactory Performance" at our factory before any unit is approved for shipment. We invite you to attend in-person or via video-conference so we can show you first-hand how exacting our standards for quality are.
- The rp Visual Solutions' *rppm Panel Mount* Factory Warranty covers all parts and labor for one full year from Invoice date in mechanical structure.

Rev 0.1