

# rpt Touch Screen Bezel

IST—Infrared Systems Touch

## INTERACTIVE FLAT PANELS & REAR PROJECTION SCREENS

**Rpt** Touch Screen Bezel IST (Infrared Systems Touch) products are manufactured in the USA and are designed to integrate seamlessly onto the many current brands of FLAT PANEL & REAR PROJECTION DISPLAYS in the market today. If you are looking to add interactive ability onto larger displays, Rpt Touch Bezel can deliver a touch screen system that will meet your exact needs.



Whether it be for an indoor application with a stable conditions, such as a newsroom or shopping mall kiosk, or an outdoor application with harsh environment, such as a subway map or part of memorial shrine, rpt Visual Solutions can design a interface system to meet your needs.

Patented IR technology that when integrated onto a display, will provide the end-user with an interactive interface to a PC workstation, DVD player, customized software, or access to the Internet. This Flexibility will allow your design to draw the attention it deserves.

Rpt Touch Screen Bezel IST are a very cost effective and desired method to provide interactive ability to display technology. Compared to other types of touch system products on the market, the Rpt Touch Screen Bezel's infrared technology will not interfere or reduce the luminescence or focus of

**Rp** Visual Solutions' family of large-area Touch Systems are ideal for adding an interactive element to larger displays to include; Plasma Panel Displays (PDPs), LCD and rear projection displays. The Rpt Touch Screen Bezel mounts directly on the bezel of the display. Through the use of infrared technology, we can enable the entire viewing area of the display to become interactive to the user without clouding or distorting the image. Calibration is only required after mounting, and you will not need to recalibrate the unit until the system is removed and remounted on a new display.

### IIIST Technical Specification

Touch Resolution 0.25" to 0.125"

Scan Rate >20 frames per second

Weight <12 lbs.

Maximum Power 6 watts

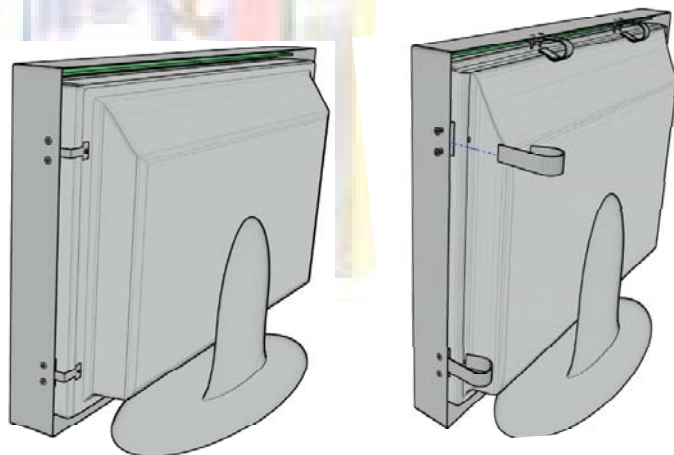
Input Power 9-12 volts DC, .5 Amps

Interface RS-232

Key Span USB-RS232 Included

Assembly either via bracket or clip

Universal Pointer Device Driver



**rp**Visual  
Solutions

[www.rpvisuals.com](http://www.rpvisuals.com)

1102 E Washington Avenue, Santa Ana, CA 92701

Phone 714-550-7211▲ Fax 714-550-7230